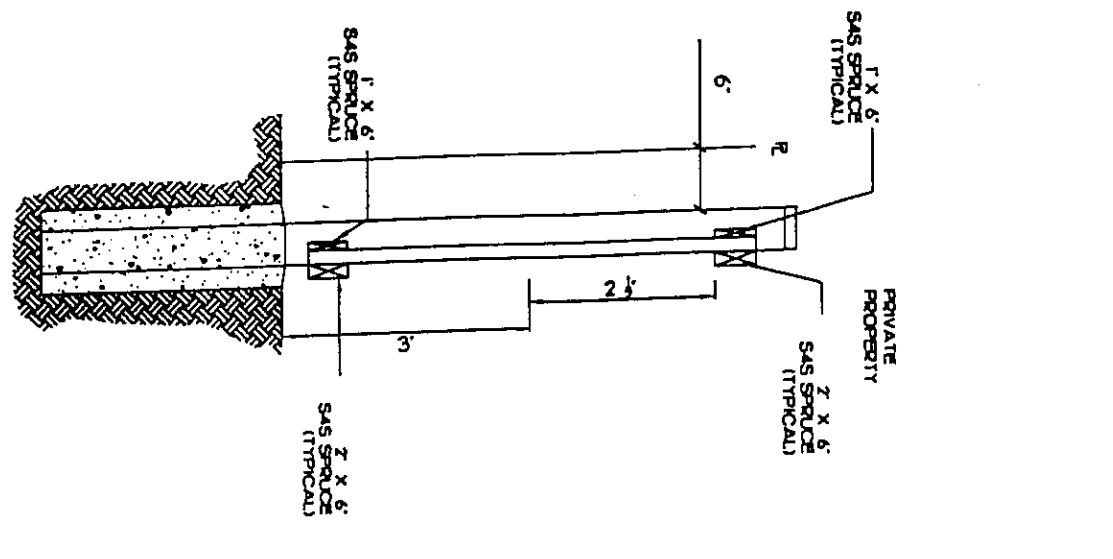


- NOTE:
- ALL WOOD TO BE PRE-STAINED WITH SANDSTONE SOLID WOOD STAIN BOTH SIDES PRIOR TO INSTALLATION
  - ALL HARDWARE TO BE GALVANIZED.
  - ALL STAIN TO BE APPLIED TO MANUFACTURERS SPECIFICATIONS.
  - PRESSURE TREATED POSTS TO BE TREATED WITH A SOLUTION OF PENTA-CHLORO-PHENOL AND PETROLEUM TO CSA-080.
  - NAILS TO BE 3 1/2" COATED FOR STRUNGERS TO POSTS AND 2" ARDUX FOR BOARDS.
  - ALL DIMENSIONS IN IMPERIAL UNLESS OTHERWISE NOTED
  - ALL PLANNED MATERIALS #2 AND BETTER



NOTE:  
 WITH THE FULL AGREEMENT OF BOTH OWNERS, THE SIDEYARD FENCE AT THE COMMON PROPERTY LINE MAY BE CONSTRUCTED WITH 4' X 4' POSTS IN LIEU OF 4' X 6' POSTS AND BE LOWER IN HEIGHT BUT CONSISTENT IN STYLE AND COLOUR. ALL OTHER FENCES, WITH PUBLIC VIEW (INCLUDING LANE ADJACENCY) MUST ADHERE TO THE MINIMUM REQUIREMENTS AS SET OUT HERE.

# ELLERSLIE CROSSING FENCE DETAIL

SCALE: N.T.S.